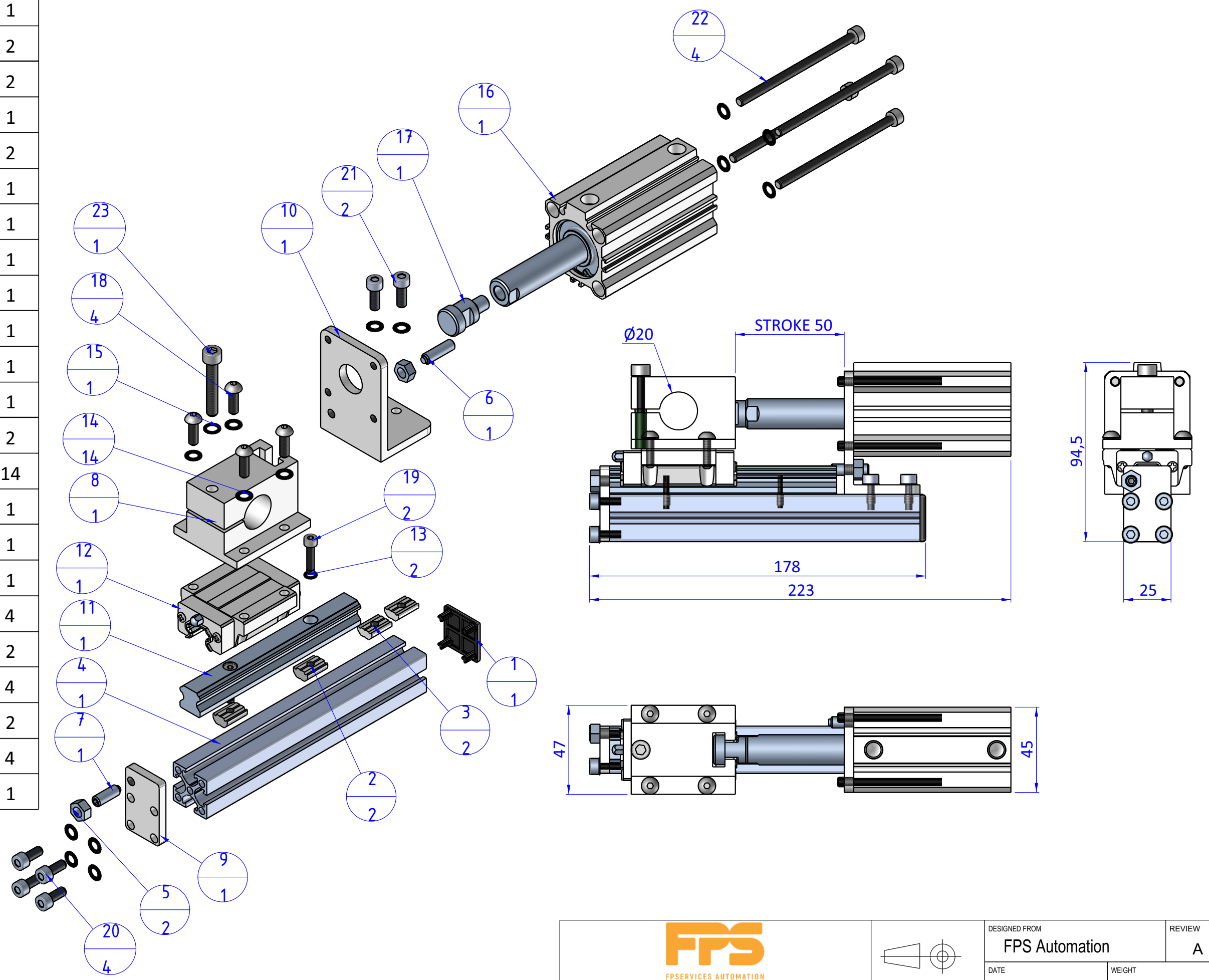



THE PROPERTY OF THE DRAWING IS ESTABLISHED BY LAW. IT IS FORBIDDEN TO PRODUCE OR SHOW IT TO THIRD PART WITHOUT A WRITTEN AGREEMENT.

| Item | Name | Q.ty |
|------|--------------------|------|
| 1 | CA.ADK.X.2525.1 | 1 |
| 2 | CA.GWP.4U | 2 |
| 3 | CA.GWP.5U | 2 |
| 4 | CA.X.2525.164 | 1 |
| 5 | D.6 | 2 |
| 6 | EL.GN.13722 | 1 |
| 7 | EL.GN.13723 | 1 |
| 8 | HEH.20.01 | 1 |
| 9 | HEH.30.02 | 1 |
| 10 | HEH.30.03 | 1 |
| 11 | HI.HGR15R120 | 1 |
| 12 | HI.HGW15CCZ0H | 1 |
| 13 | R.4.SCH | 2 |
| 14 | R.5.SCH | 14 |
| 15 | R.6.SCH | 1 |
| 16 | SMC.CDQ2B32TF-50DZ | 1 |
| 17 | SMC.YU-03 | 1 |
| 18 | V.TBCE.5X16.BUTT | 4 |
| 19 | V.TCE4x18 | 2 |
| 20 | V.TCE5x12 | 4 |
| 21 | V.TCE5x14 | 2 |
| 22 | V.TCE5x85 | 4 |
| 23 | V.TCE6x35 | 1 |



Format A3
UNI 936-76

| | | | | |
|--|--|----------------|--|--------------|
|  FPS FPSERVICES AUTOMATION | | DESIGNED FROM | | REVIEW |
| | | FPS Automation | | A |
| GENERAL TOLERANCE | | DATE | | WEIGHT |
| UNI - ISO 2768 | | 09/09/2021 | | 0,265kg |
| CLASSE f | | CODE | | |
| | | CA.HEH.20.50 | | CA.HEH.20.50 |